



371271 (E7BSGHDNF0)

Gas-Kochkessel, 60 l, direkte  
Beheizung

## Hauptmerkmale

### Main Features

- Kettle is suitable to cook, sauté or poach all kinds of produce.
- Produce is uniformly heated in the base and side walls of the kettle by a direct heating system.
- Pressed cooking vessel and lid in 316 AISI Stainless steel.
- Robust burners in stainless steel with flame failure device, protected pilot light and optimized combustion.
- Appliance is IPX4 water resistance certified.
- Solenoid valve to refill with hot and cold water.
- Safety valve avoids overpressure of the steam in the jacket.
- No overshooting of cooking temperatures, fast reaction.
- Large capacity drain tap enables precise portioning of the discharged food, especially small quantities.
- Firmly fitting cover to reduce cooking time and save energy costs.
- Ergonomic: unique ratio vessel diameter and height; depth facilitates stirring and gentle food handling.
- Discharge tube and tap are very easy to clean from outside.
- Smooth large surfaces, easy access for cleaning.
- Exterior panels in Stainless Steel with Scotch Brite finish.
- One piece pressed 1.5 mm work top in Stainless steel.
- Model has right-angled side edges to allow flush fitting joints between units, eliminating gaps and possible dirt traps.
- Unit delivered with four 50 mm legs in stainless steel as standard (all round Stainless steel kick plates as option).

### Konstruktion

- Robuste Edelstahlbrenner mit Flammenwächter, geschützter Zündflamme und optimierter Verbrennung.
- Außenverkleidung aus Edelstahl mit Scotch Brite Schliff.
- Einteilige tiefgezogene 1,5 mm dicke Deckplatte aus Edelstahl.
- Gerät mit rechtwinkligen Seitenkanten für bündige Verbindung der Gerät nebeneinander ohne Ritzen und Schmutzecken.
- IPx4-Wasserschutz.

### Nachhaltigkeit

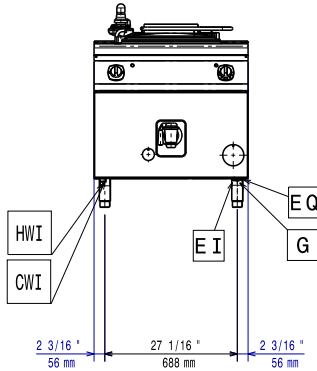
- Geschlossenes Heizsystem - keine Energieverschwendung
- Festsitzender Deckel reduziert die Kochzeit und spart Energiekosten.

### Optionales Zubehör

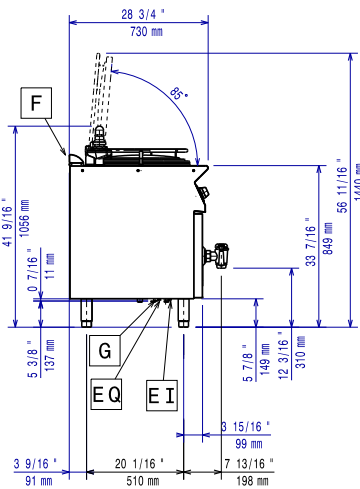
- Verbindungs-/Dichtungsmittel PNC 206086

Genehmigung: \_\_\_\_\_

Front

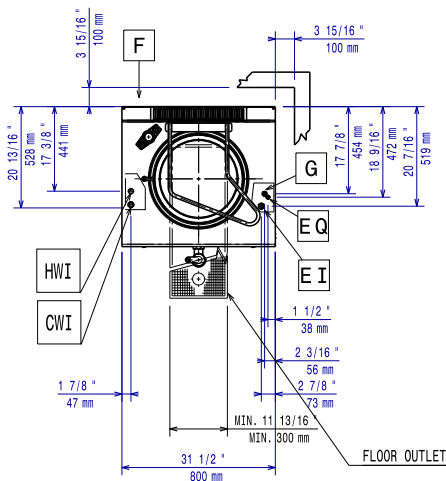


Seite



CWI = Kaltwasserzulauf                      HWI = Warmwasserzulauf  
 D = Ablauf  
 EI = Elektroanschluss  
 G = Gasanschluss

oben



## Elektrisch

**Netzspannung:**  
 371271 (E7BSGHDNF0)                      230 V/1N ph/50 Hz  
**Gesamt-Watt**                                      0.1 kW

## Gas

**Gasleistung:**                                      14 kW  
**Standardgasart:**                                Erdgas  
**Gasart, Option:**                                Flüssiggas  
**Gaszufuhr:**                                        1/2"

## Schlüsselinformation

**Tiegel-Nutzhalt:**                                60 lt  
**Durchmesser runder  
Kochkessel:**                                      420 mm  
**Nettogewicht:**                                 95 kg  
**Versandgewicht:**                               84 kg  
**Versandhöhe:**                                  1140 mm  
**Versandlänge:**                                 820 mm  
**Versandtiefe:**                                 860 mm  
**Versandvolumen:**                             0.8 m<sup>3</sup>  
 No clearance needed on rear sides of unit if wall is of non  
 combustible type. If wall is combustible, minimum 50 mm  
 wall clearance should be maintained.  
**Zertifizierungsgruppe**                        N7PG